



PLEASE READ CAREFULLY BEFORE USING THE PRODUCT
SAVE THESE INSTRUCTIONS

INSTALLATION MANUAL

RASTER TRIMLESS INSIDE / RECESSED LUMINAIRE

MODELS.

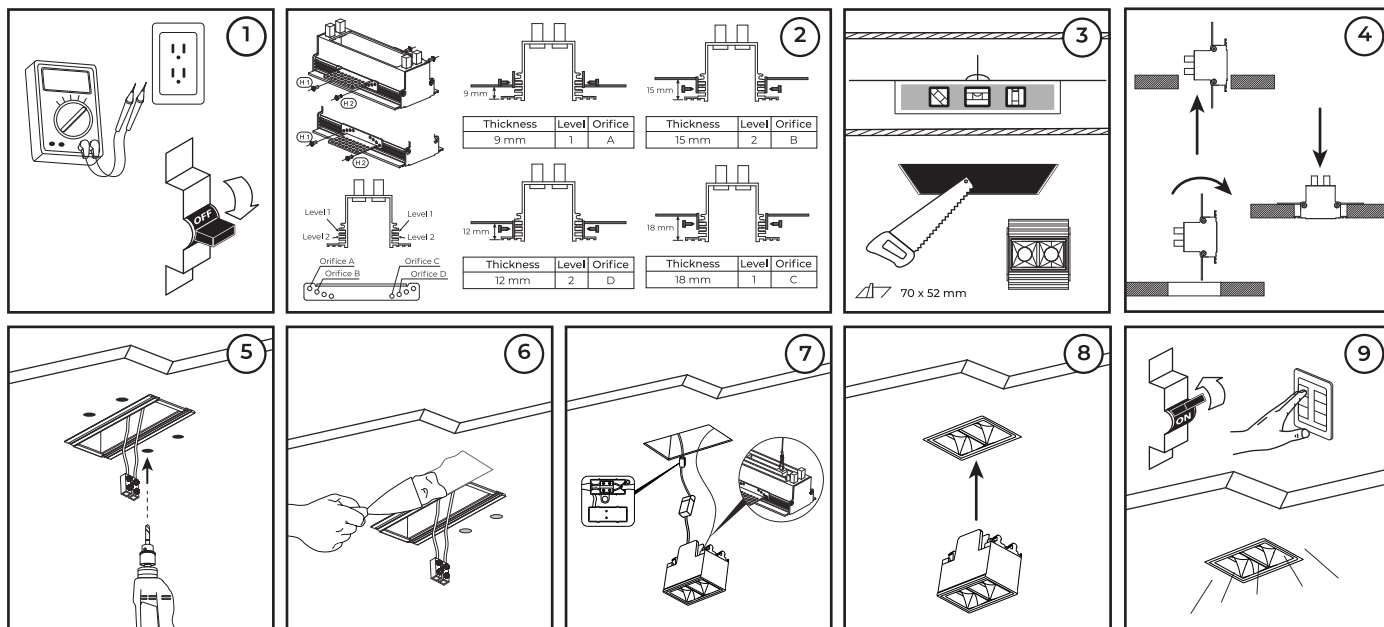
TL-2804.TRB / TL-2804.TRN APPLY IN ANY INSIDE COLOR, 2 200 K, 2 700 K, 3 000 K, 4 000 K OR 5 000 K LIGHT TEMPERATURE, 10°, 15°, 30° OR 45° BEAM ANGLE, CLEAR, DIFFUSED, VERTICAL OR PRISMATIC OPTICAL LEN AND DIMMABLE OR NOT DIMMABLE

CAUTION.

- Read all instructions.
- Do not install this track in damp or wet locations.
- Do not install any part of a track system less than 5 feet above the floor.
- Do not install any luminaire assembly closer than 6 inches from any curtain, or similar combustible material.
- Disconnect electrical power before handling or changing track lighting.

INSTALLATION INSTRUCTIONS.

- Verify that the available voltage is adequate for the lighting operation and disconnect electrical power to circuit before installation.
- Adjust the housing thickness (consider the thickness of your ceiling), use the support marks on the sides.
- Identify the area where the housing will be placed and make a hole according to its internal measurement.
- Carefully insert the housing through the hole.
- Fix the housing to the ceiling with screws.
- Once set, coat the remaining parts with the finish and paint if necessary.
- Connect the wiring using the driver included with the lighting: Primary (127 V ~) Connect the cables corresponding to positive ("L") and neutral ("N").
- Insert the luminaire into the housing by pressing it firmly. Take care that no cables are pinched.
- Restore the electrical current and check the correct operation of the lighting.



ELECTRIC SPECIFICATIONS.

LAMP: SMD LED 3030 OSRAM
POWER: 4 W
FREQUENCY: 50/60 Hz
VOLTAGE NOT DIMMABLE: 100 - 277 V~ / 0.04 - 0.01 A
VOLTAGE DIMMABLE: 100 - 130 V~ / 0.04 - 0.03 A
ENERGY CONSUMPTION: 0.004 kWh
HOURS LIFE: 35 000 h
CRI: ≥90
DRIVER INCLUDED (REMOTE)
OPERATING TEMPERATURE -20 °C TO +45 °C

Illux de México S.A. de C.V.
Made in Mexico

SAVE THESE INSTRUCTIONS

DATE CODE:



Intertek
5019329

Conforms to
UL Std 1598
UL Std 8750

